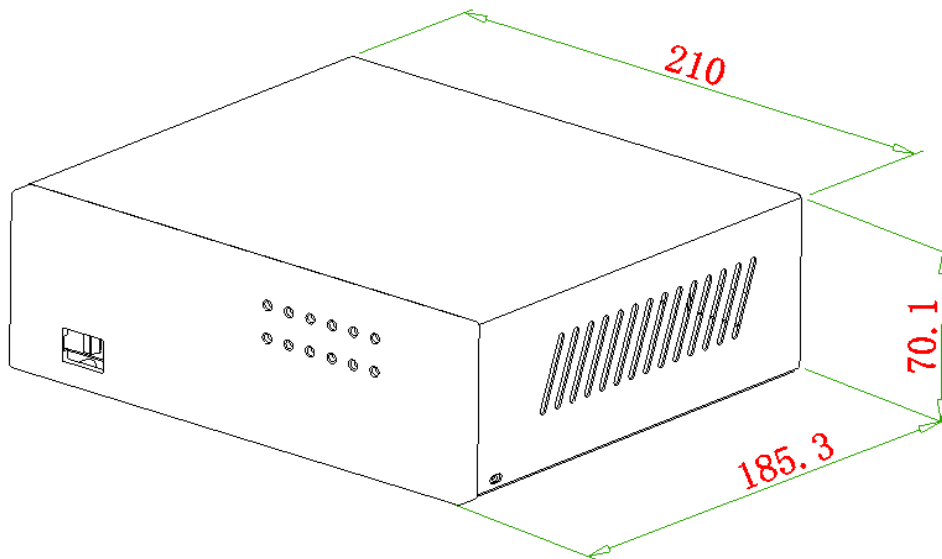


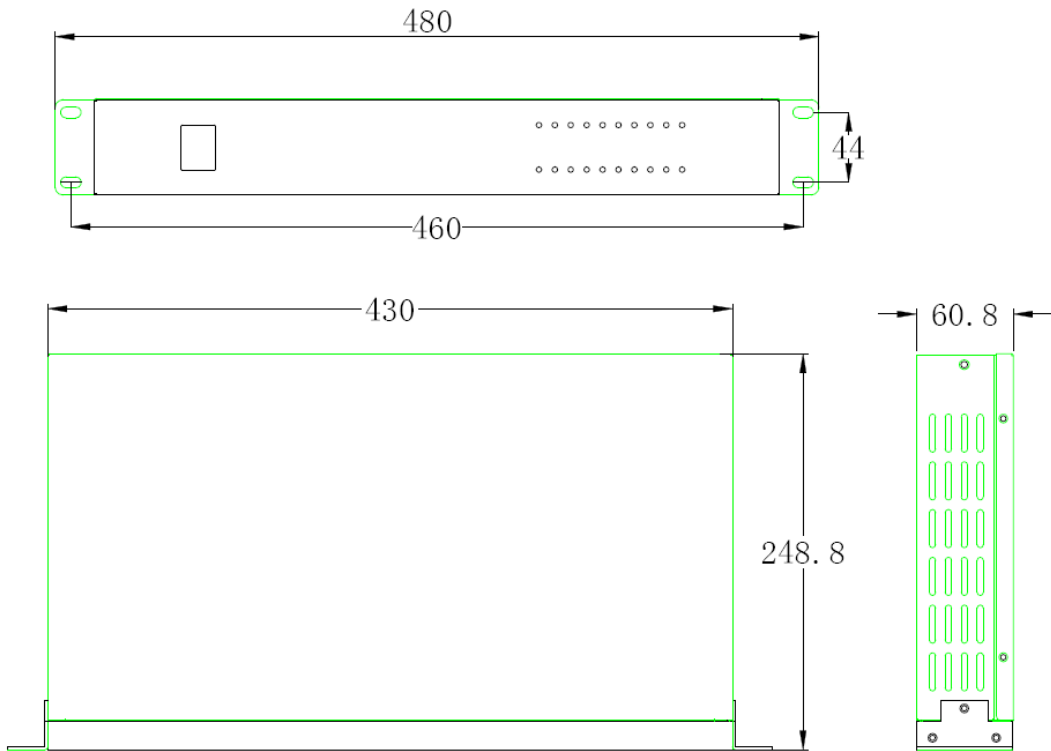
2U external Transmitter Enclosure Specs

I. Basic Information

1. Product Introduction: Full Color Synchronized LED Transmitter Enclosure.
2. Product Model: 2U external distribution box
3. Input Voltage: 100V---240V.
4. Input Power: 15W.
5. Size: with install iron sheets: 480MM × 248.8MM × 60.8MM
(length × width × height)
without install iron sheets: 430MM × 248.8MM × 60.8MM
(length × width × height)
6. Supported Display Module: Single Color, Dual Color, Full Color

II. Size and Dimensions





III. Product Picture



IV. Technical Parameters

Performance Options	Typical Value	Maximum Value
Supported Screen Module	Single Color/ Dual Color/ Full Color/Virtual Pixel	
Area of Pixels Loaded	2560×1024(4 Network Ports)	
Receiving Card Supported	/	240 (Single Network Port)
Supported Resolutions	1024×768	2048×1152
Grey Grade Input	8Bit	10Bit
Data Interface	/	Gigabit Ethernet
Working Current	2.0A	3.0A
Protecting Current	4.0A	
Working Temperature	0℃ - 65℃	
Extreme Working Temperature	-10℃ - 65℃	
Working Humidity (%)	5%-95%	
Input Voltage	220V	240V

V. Indicators

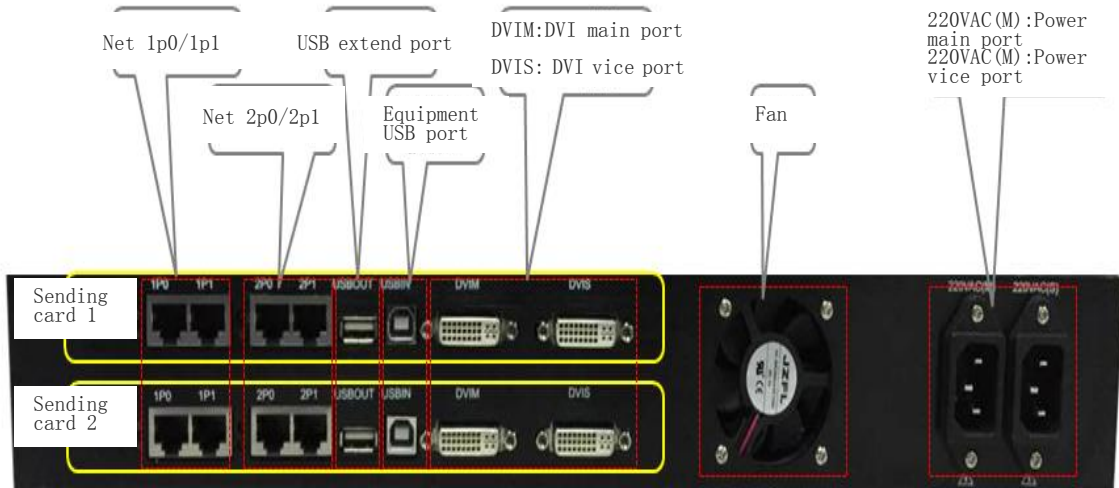
1. Front Side



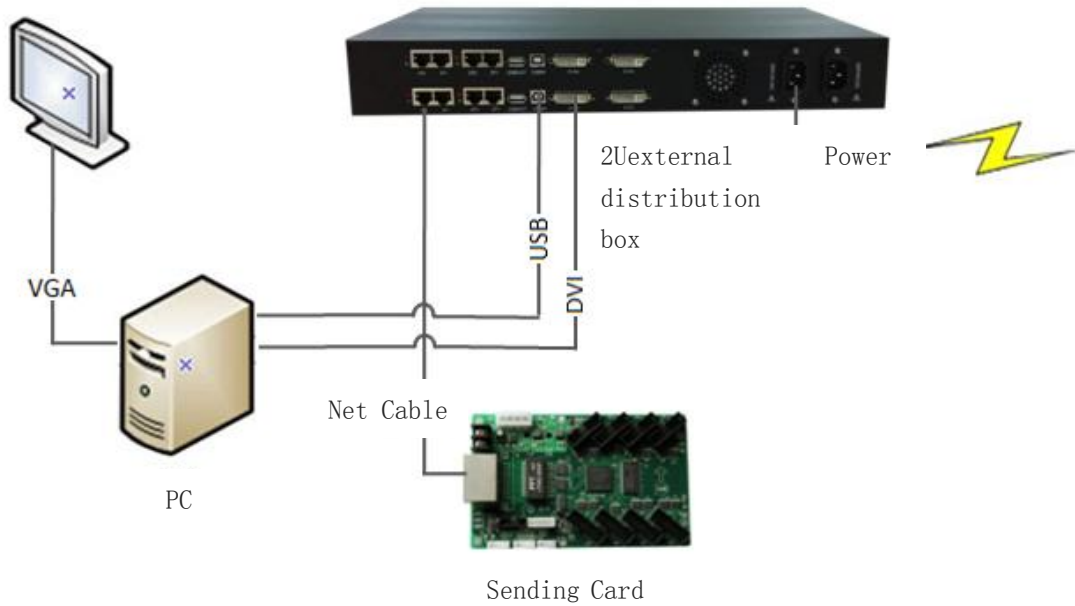
switch

Sending card 1 state
 1P0/1P1:Net connection status
 2P0/2P1:Net connection status
 DVIM/DVIS: DVI connection status
 USBM/USBS:USB connection status
 PWM/PWS:power Display state

Sending card 2 state
 1P0/1P1:Net connection status
 2P0/2P1:Net connection status
 DVIM/DVIS: DVI connection status
 USBM/USBS:USB connection status
 PWM/PWS:power Display state



VI. Connection



VII. Packing Contents

1. Two Sending Cards; Double anti-static bubble bags and Tray.
2. DVI Cable, USB Cable, Power Supply Cable.
3. Software Disc.
4. Supporting 2U corner mounting pieces.

VIII. Attentions

1. Please follow the Instructions for the standard Operation.
2. Professionals are needed to install and test the product, and it has to be anti-static.
3. Keep away from water.