

Control Card of temperature,humidity,lightness: EM10 Specs

一. Basic Information:

Product Type: Control Card for Temperature,Humidity and Lightness

Product Model: Mooncell EM10

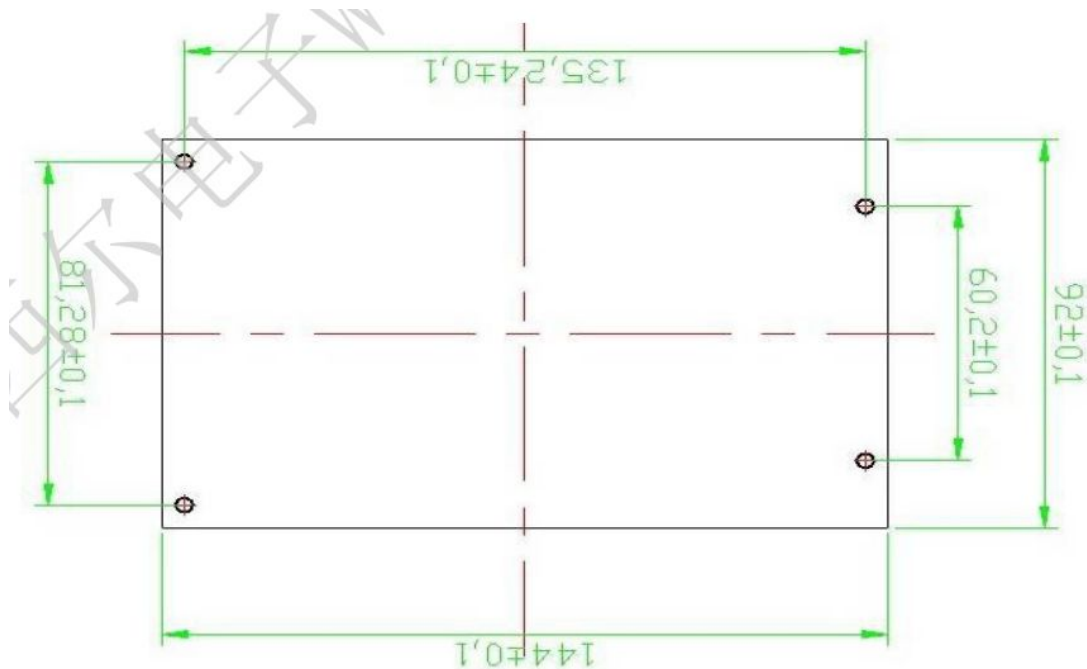
Input Voltage : +3.5V---6V

Output Power: 7.5W

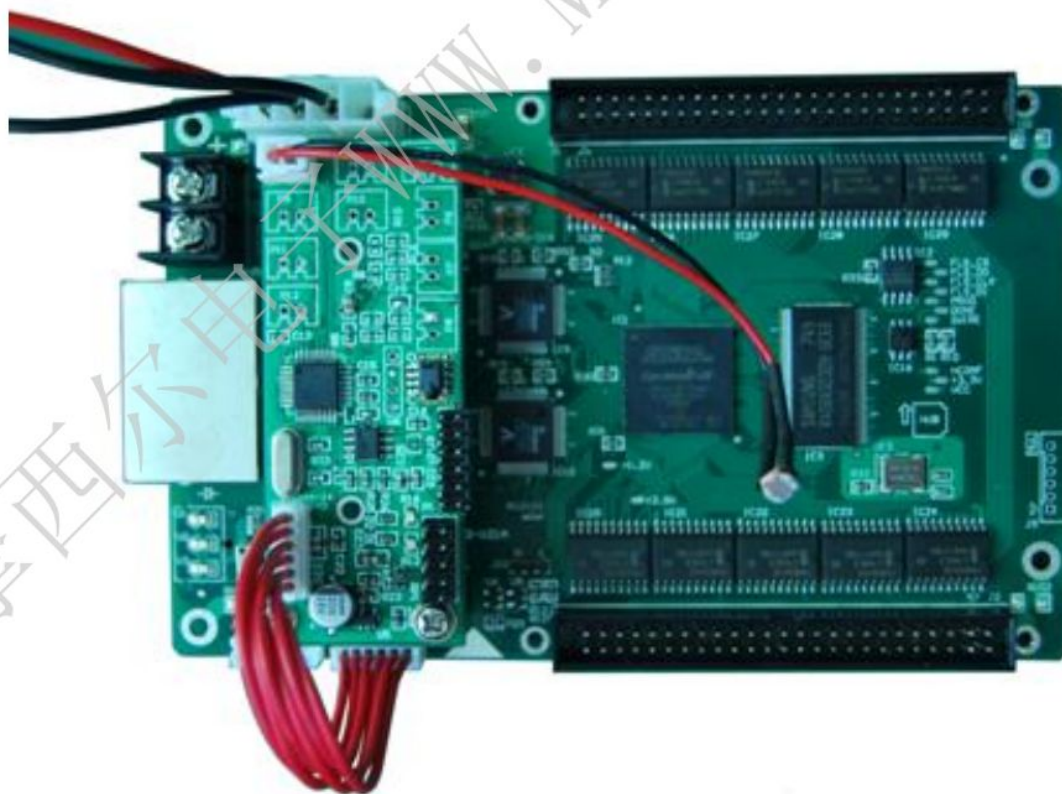
Product Dimensions: 144mm X 92mm

Supported Display Module: Single Color, Dual Color, Full Color

二. Size and Interface



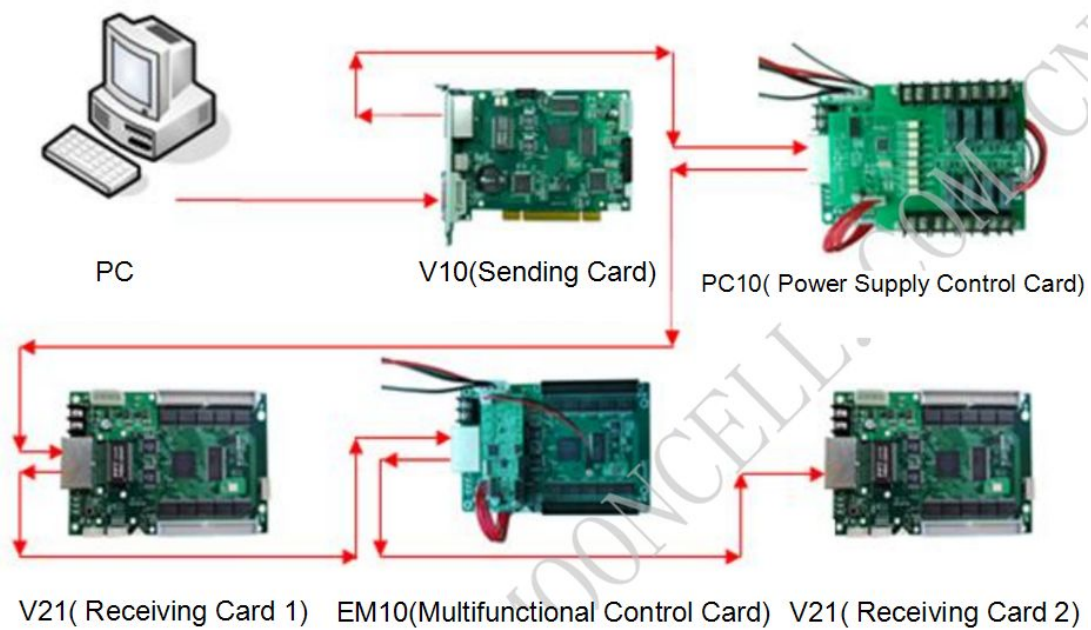
三. Product Picture



三. Technical Parameters

Performance Options	Typical Value	Maximum Value
Supported Screen Module	Single Color/ Dual Color/ Full Color/Virtual Pixel	
Working Voltage	3.5V-6V	
Temperature Sense Range	0°C - +85°C	
Humidity Sense Range	0%RH - 100%RH	
Illumination Range	1 - 1023	
Working Current	1.0A	1.5A
Protecting Current	4.0A	
Working Temperature	-10°C - 40°C	
Extreme Working Temperature	-10°C - 65°C	
Working Humidity	5%-95%	

七. Connection



八. Packing Content

1. One Receiving Card, Anti-static Bubble Bag
2. Light Sensor, Temperature and Humidity Sensor

九. Attentions

1. Please follow the Instructions for the standard Operation.
2. Professionals are needed to install and test the product, and it has to be anti-static.
3. Keep away from water.