

Power Supply Control Card: PC10 Specs

一. Basic Information:

Product Type: Power Supply Control Card

Product Model: Mooncell PC10

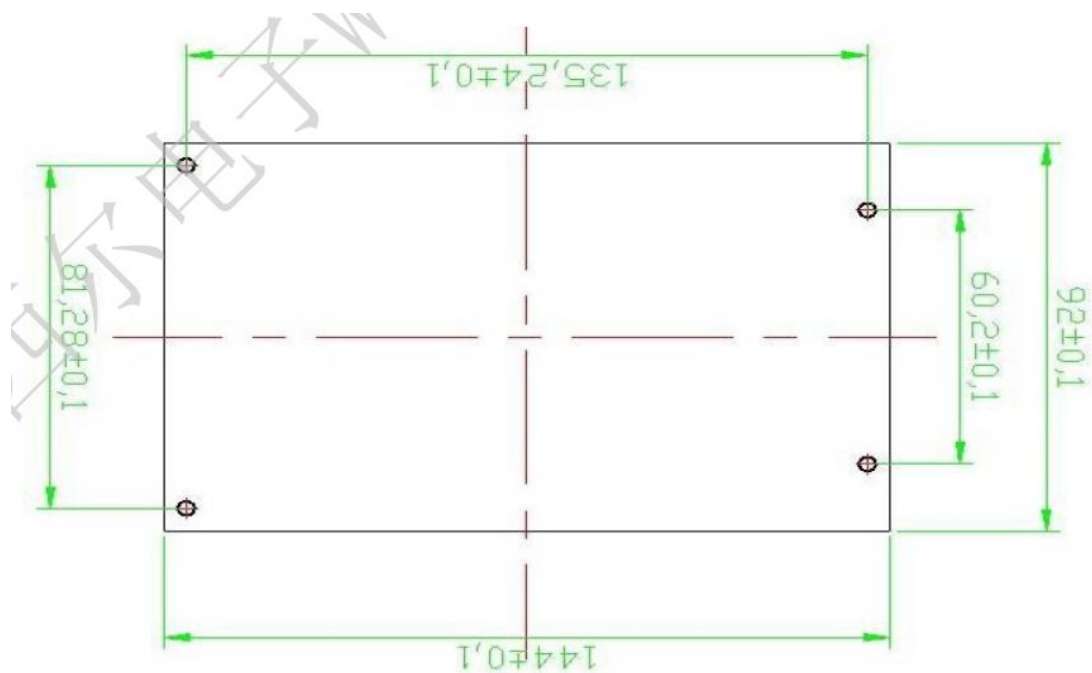
Input Voltage : +3.5V---6V

Output Power: 7.5W

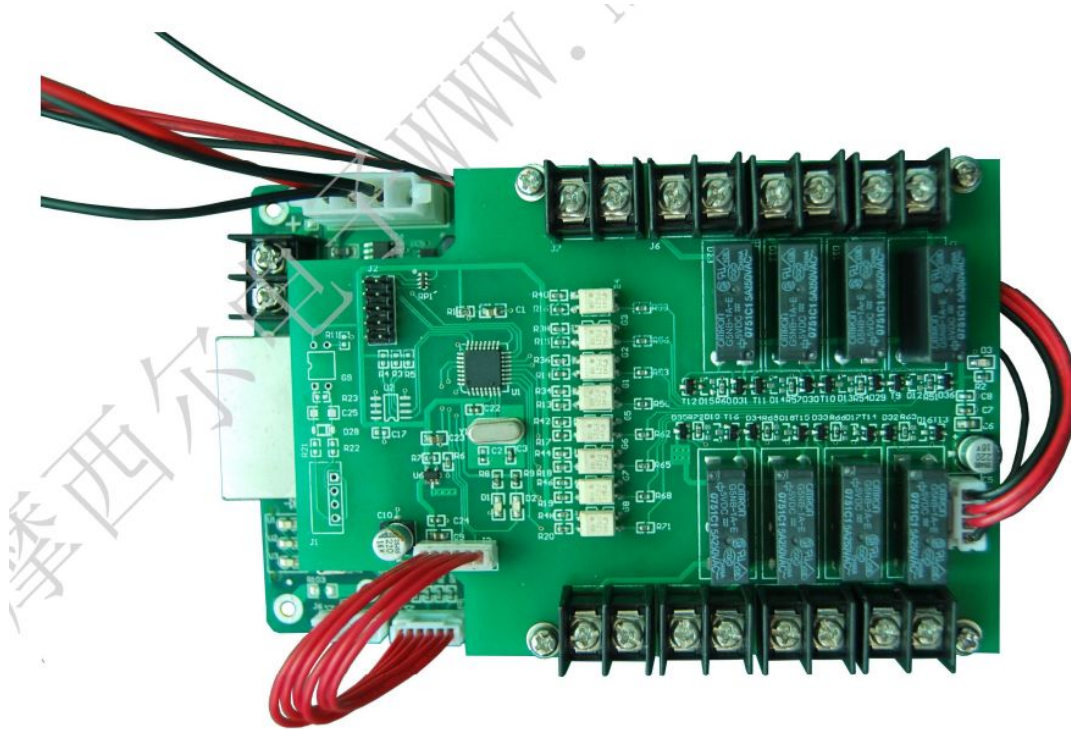
Product Dimensions: 144mm X 92mm

Supported Display Module: Single Color, Dual Color, Full Color

二. Size and Interface



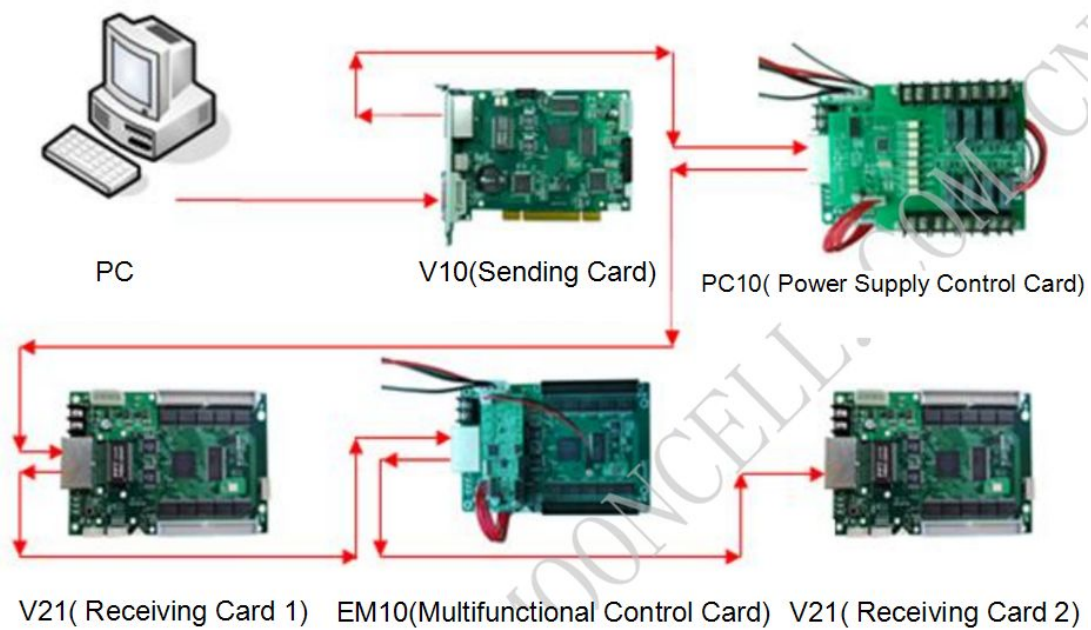
三. Product Picture



三. Technical Parameters

Performance Options	Typical Value	Maximum Value
Supported Screen Module	Single Color/ Dual Color/ Full Color/Virtual Pixel	
Working Voltage	3.5V-6V	
Numbers of Power Switch	8	
The maximum power it can load for one power switch	0%RH - 100%RH	
Illumination Range	220V - 250V 5A	
Working Current	1.0A	1.5A
Protecting Current	4.0A	
Working Temperature	-10°C-40°C	
Extreme Working Temperature	-10°C-65°C	
Working Humidity	5%-95%	

七. Connection



八. Packing Content

1. One Receiving Card, Anti-static Bubble Bag
2. Power Supply Cable

九. Attentions

1. Please follow the Instructions for the standard Operation.
2. Professionals are needed to install and test the product, and it has to be anti-static.
3. Keep away from water.