

Mooncell Transmitter Enclosure Specs

一. Basic Information

1.**Product Introduction:** Full Color Synchronized LED Transmitter Enclosure

2.**Product Model:** One Card(Sending Card) Transmitter Enclosure(B)

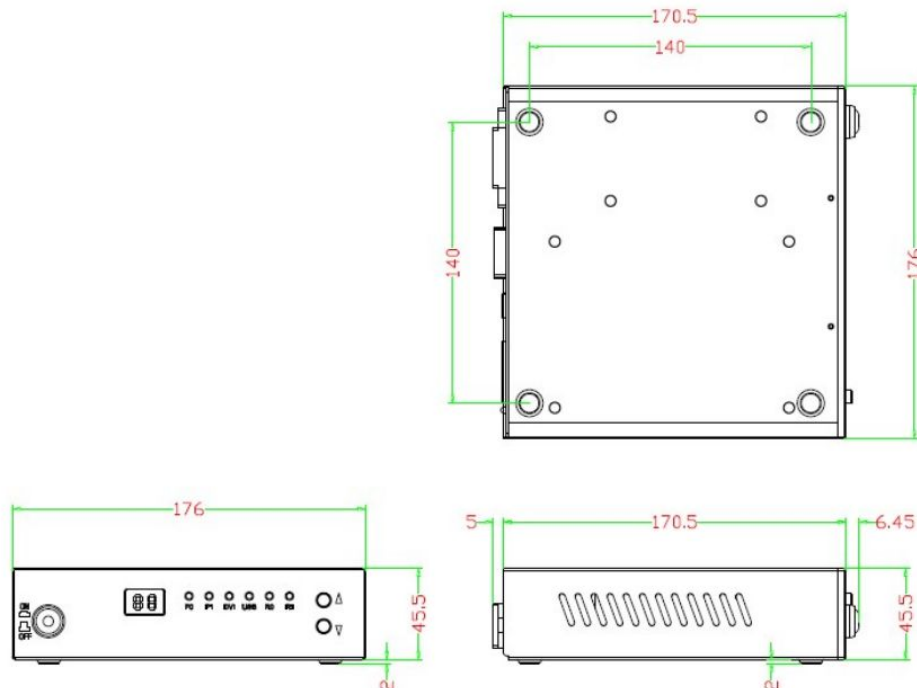
3.**Input Voltage:**190V---230V

4.**Input Power:**7.5W

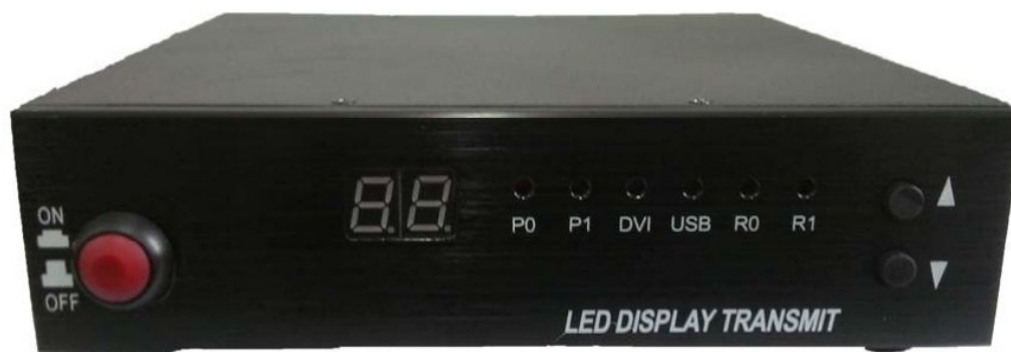
5.**Product Dimensions:**177MMX170MMX50MM (Length X Width X Height)

6.**Supported Display Module:** Single Color, Dual Color, Full Color

二. Size and Dimensions



三. Product Picture

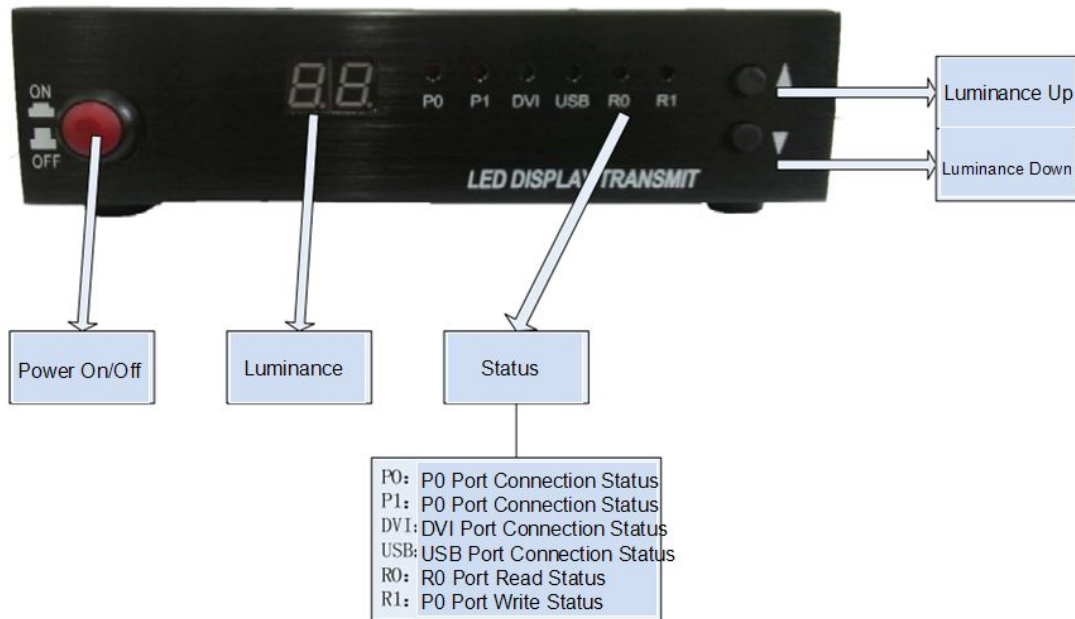


四. Technical Parameters

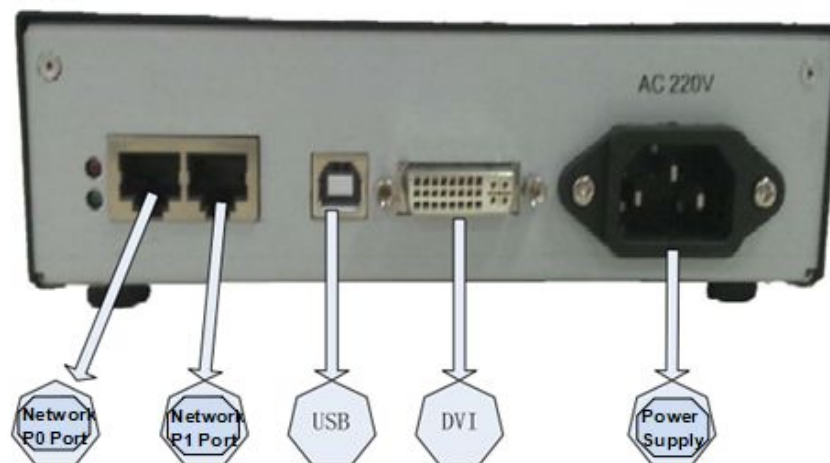
Performance Options	Typical Value	Maximum Value
Supported Screen Module	Single Color/ Dual Color/ Full Color/Virtual Pixel	
Pixels Loaded	1028X1024(Dual Network Ports)	
Receiving Card Supported	/	253(Single Network Port)
Supported Resolutions	1280x1024	2048x1152
Grey Grade Input	8bit	10bit
Data Interface	/	Kilo-mega Network
Working Current	1.0A	1.5A
Protecting Current	4.0A	
Working Temperature	-10°C-40°C	
Extreme Working Temperature	-10°C-65°C	
Working Humidity	5%-95%	
Input Voltage	220V---230V	

五. Indicators

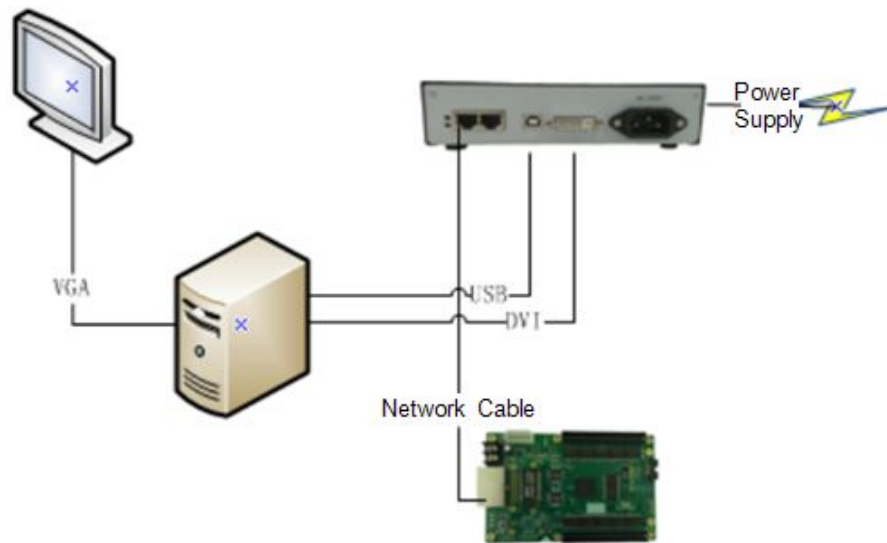
1: Front Side



2: Back Side



六. Connection



七. Packing Contents

1. One Sending Card, Anti-static Dual Layer Bubble Bag
2. DVI Cable, USB Cable, Power Supply Cable
3. Software Disc

八. Attentions

1. Please follow the Instructions for the standard Operation.
2. Professionals are needed to install and test the product, and it has to be anti-static.
3. Keep away from water.