

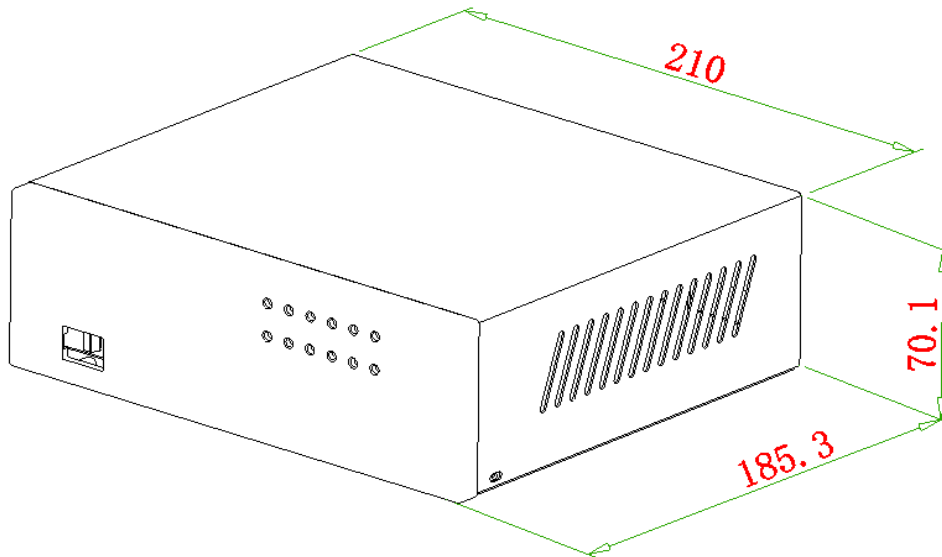
# Two cards in one Transmitter Enclosure

## Specs

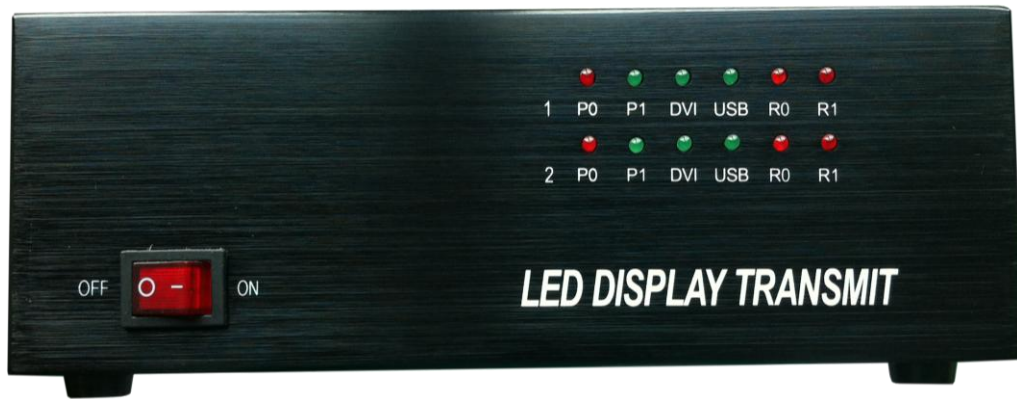
### I. Basic Information

1. Product Introduction: Full Color Synchronized LED Transmitter Enclosure.
2. Product Model: One for Two Cards (Sending Card) Transmitter Enclosure.
3. Input Voltage: 100V---240V.
4. Input Power: 15W.
5. Product Dimensions: 210MM×185MM×70MM (Length×Width×Height)
6. Supported Display Module: Single Color, Dual Color, Full Color

### II. Size and Dimensions



### III. Product Picture

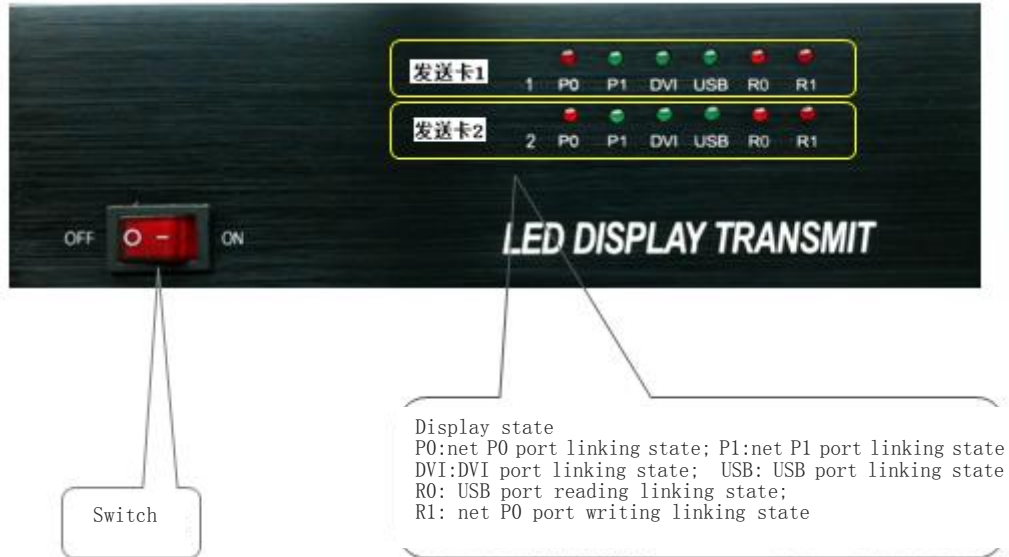


### IV. Technical Parameters

Performance Options	Typical Value	Maximum Value
Supported Screen Module	Single Color/ Dual Color/ Full Color/Virtual Pixel	
Area of Pixels Loaded	1920×1080 (Four Network Ports)	
Receiving Card Supported	/	240 (Single Network Port)
Supported Resolutions	1280×1024	2048×1152
Grey Grade Input	8Bit	10Bit
Data Interface	/	Gigabit Ethernet
Working Current	1.0A	1.5A
Protecting Current	4.0A	
Working Temperature	-10℃ - 40℃	
Extreme Working Temperature	-10℃ - 65℃	
Temperature	220V	240V
Working Humidity (%)	-10℃ - 65℃	5%-95%

## V. Indicators

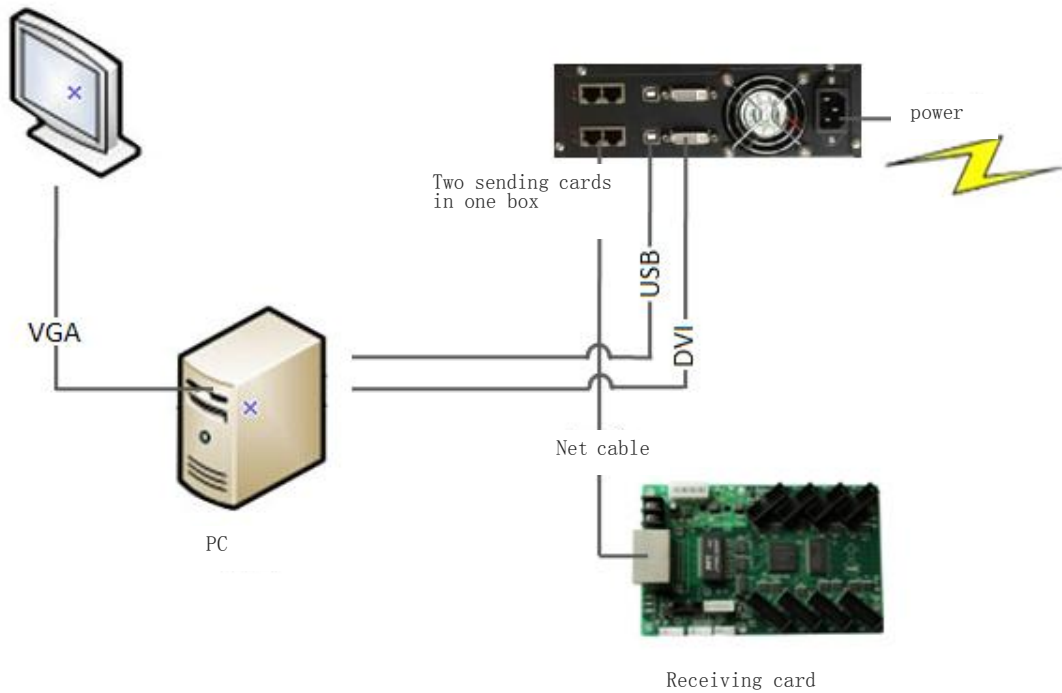
### 1. Front Side



### 2. Back Side



## VI. Connection



## VII. Packing Contents

1. Two Sending Cards; Bubble cotton and Tray.
2. DVI Cable, USB Cable, Power Supply Cable.
3. Software Disc.

## VIII. Attentions

1. Please follow the Instructions for the standard Operation.
2. Professionals are needed to install and test the product, and it has to be anti-static.
3. Keep away from water.